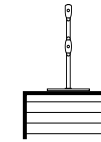




Nixalite® FliteLine Post Row Spacing Double Exposed Installation Surfaces

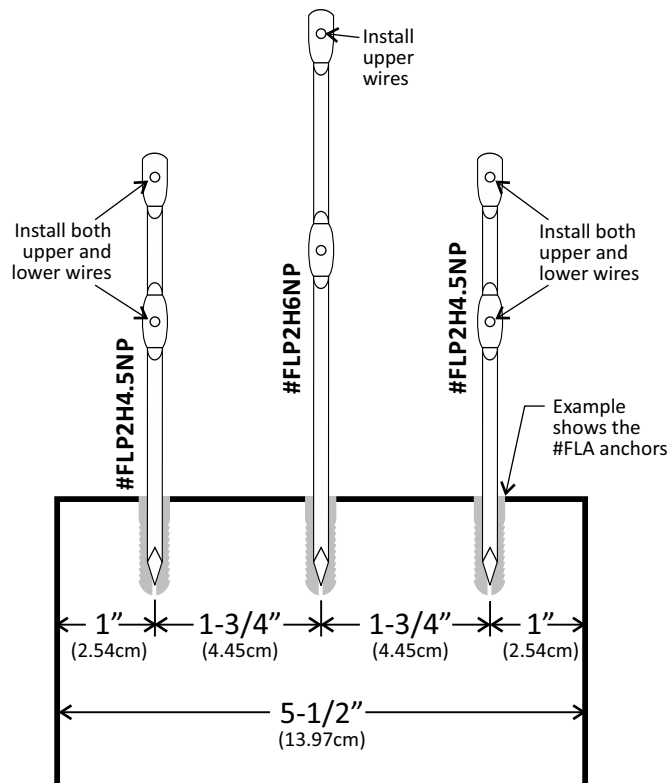


Double Exposed
Any surface without any bordering walls or blocking objects (except for diameters - pipes, cables, etc.)

Scale: 1/2" = 1"

Metric equivalents in centimeters (cm)

5-1/2" (13.97cm) Surface Depth



6" (15.24cm) Surface Depth

